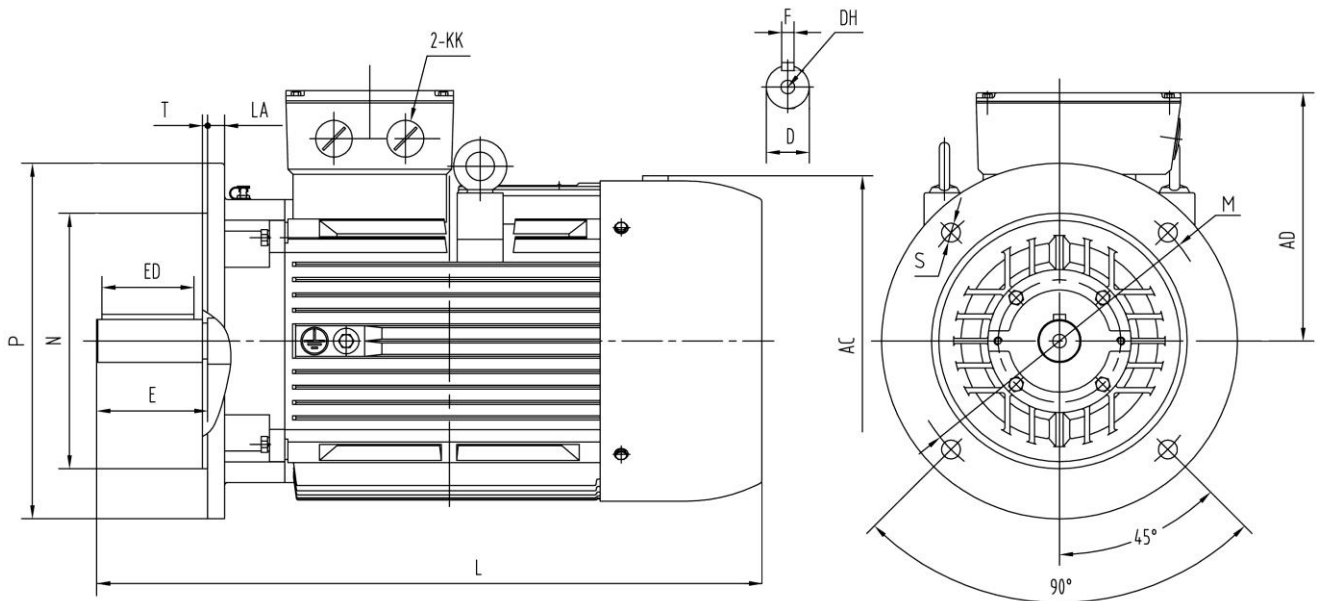


## YX3 280 M-2 IE2

### Abmessungen Drehstrom-Asynchronmotor / dimensions three phase asynchron motor IM B5 (mm)



### Abmessungen / dimension

| P    | M    | N    | AC   | AD  | LA | T | E   | ED  | S       | L    | D   | F  | DH     | KK      |
|------|------|------|------|-----|----|---|-----|-----|---------|------|-----|----|--------|---------|
| Ø550 | Ø500 | Ø450 | Ø570 | 405 | 22 | 5 | 140 | 110 | 8xØ18,5 | 1010 | Ø65 | 18 | M20x42 | M63x1,5 |

### Technische Daten / technical dates

|                                     |                          |       |  |                                   |        |
|-------------------------------------|--------------------------|-------|--|-----------------------------------|--------|
| Typ / type                          | <b>YX3 280 M-2 IE2</b>   |       | Nennmoment / rated torque                              | (Nm)                              | 289,2  |
| Leistung / power                    | (kW)                     | 90,0  | Anlaufstrom-Nennstrom / starting current-rated current | (Ia/I <sub>n</sub> )              | 5,9    |
| Betriebsart / duty                  | S1                       |       | Anzugsmoment-Nennmoment starting torque-rated torque   | (M <sub>a</sub> /M <sub>n</sub> ) | 1,8    |
| Nennzahl/ speed                     | (min <sup>-1</sup> )     | 2940  | Kippmoment-Nennmoment Pull-out torque                  | (M <sub>k</sub> /M <sub>n</sub> ) | 2,8    |
| Nennstrom / rated current 400 V     | (A)                      | 147,8 | Massenträgheitsmoment / moment of inertia              | (kgm <sup>2</sup> )               | 0,6953 |
| Spannung / voltage (50 Hz)          | (V) 380-420/660-720(Δ/Y) |       | Umgeb.-temp./ ambient temperature                      | 40°C                              |        |
| Frequenz / frequency                | (Hz)                     | 50    | Lager / bearing  | (DE)                              | 6314   |
| Wirkungsgrad / efficiency           | (%)                      | 94,3  |  | (NDE)                             | 6314   |
| Leistungsfaktor / power factor      | (cos φ)                  | 0,93  | Schallpegel / noise level                              | (dB (A))                          | 87     |
| Schutzart / protection              | IP55                     |       | Gewicht / weight                                       | (kg)                              | 605    |
| Isolationsklasse / insulation class | F                        |       |  |                                   |        |

### Schaltplan / connection diagram

