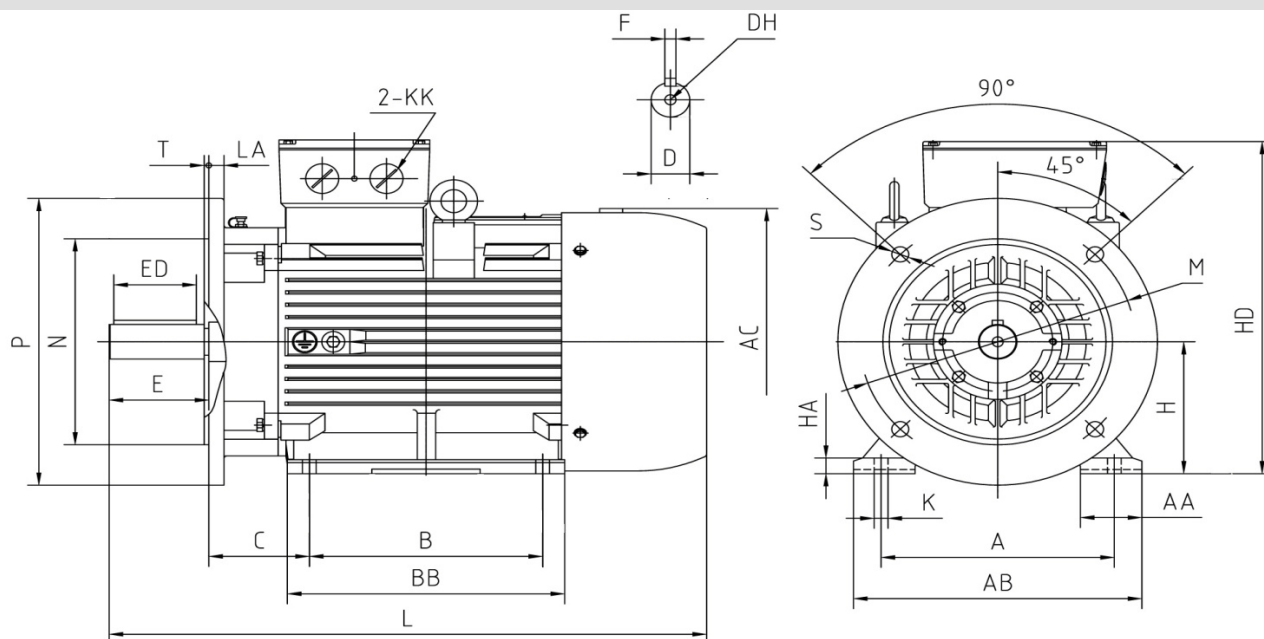


YX3 280 M-6 IE2

Abmessungen Drehstrom-Asynchronmotor / dimensions three phase asynchron motor IM B35 (mm)



Abmessungen / dimension

| A | AA | AB | AC | B | BB | C | E | ED | H | HD | HA | L | K | D | DH | KK |
|------|------|------|------|-----|---------|-----|-----|-----|-----|-----|----|------|----|-----|--------|---------|
| 457 | 109 | 550 | Ø570 | 419 | 535 | 190 | 140 | 110 | 280 | 685 | 35 | 1010 | 24 | Ø75 | M20x42 | M63x1,5 |
| P | M | N | T | LA | S | F | | | | | | | | | | |
| Ø550 | Ø500 | Ø450 | 5 | 22 | 8xØ18,5 | 20 | | | | | | | | | | |

Technische Daten / technical dates

| | | | | | |
|-------------------------------------|------------------------|----------------------|--|-----------------------------------|--------|
| Typ / type | YX3 280 M-6 IE2 | | Nennmoment / rated torque | (Nm) | 531,2 |
| Leistung / power | (kW) | 55,0 | Anlaufstrom-Nennstrom / starting current-rated current | (I _a /I _n) | 6,4 |
| Betriebsart / duty | S1 | | Anzugsmoment-Nennmoment / starting torque-rated torque | (M _a /M _n) | 2,1 |
| Nennzahl/ speed | (min ⁻¹) | 990 | Kippmoment-Nennmoment / Pull-out torque | (M _k /M _n) | 2,6 |
| Nennstrom / rated current 400 V | (A) | 96,2 | Massenträgheitsmoment / moment of inertia | (kgm ²) | 1,7325 |
| Spannung / voltage (50 Hz) | (V) | 380-420/660-720(e/Y) | Umgeb.-temp./ ambient temperature | 40°C | |
| Frequenz / frequency | (Hz) | 50 | Lager / bearing | (DE) | 6316 |
| Wirkungsgrad / efficiency | (%) | 93,1 | | (NDE) | 6316 |
| Leistungsfaktor / power factor | (cos φ) | 0,89 | Schutzart / protection | IP55 | |
| Isolationsklasse / insulation class | F | | Schallpegel / noise level | (dB (A)) | 76 |
| | | | Gewicht / weight | (kg) | 548 |

Schaltplan / connection diagram

