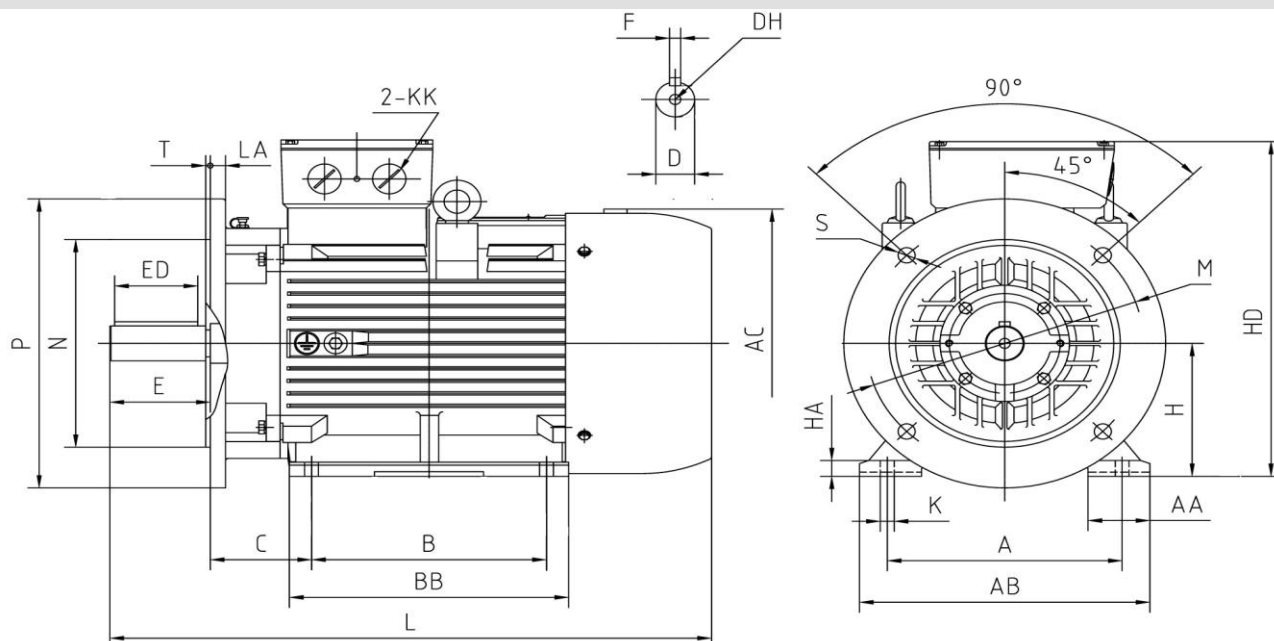


YX3 180 M-2 IE2

Abmessungen Drehstrom-Asynchronmotor / dimensions three phase asynchron motor IM B35 (mm)



Abmessungen / dimension

| A | AA | AB | AC | B | BB | C | E | ED | H | HD | HA | L | K | D | DH | KK |
|------|------|------|------|-----|---------|-----|-----|----|-----|-----|----|-----|------|-----|--------|---------|
| 279 | 74 | 350 | Ø380 | 241 | 297 | 121 | 110 | 90 | 180 | 455 | 22 | 685 | 14,5 | Ø48 | M16x36 | M40x1,5 |
| P | M | N | T | LA | S | F | | | | | | | | | | |
| Ø350 | Ø300 | Ø250 | 5 | 15 | 4xØ18,5 | 14 | | | | | | | | | | |

Technische Daten / technical dates

| | | | | | |
|-------------------------------------|------------------------|----------------------|--|-----------------------------------|---------|
| Typ / type | YX3 180 M-2 IE2 | | Nennmoment / rated torque | (Nm) | 71,2 |
| Leistung / power | (kW) | 22,0 | Anlaufstrom-Nennstrom / starting current-rated current | (I _a /I _n) | 7,1 |
| Betriebsart / duty | | S1 | Anzugsmoment-Nennmoment starting torque-rated torque | (M _a /M _n) | 2,3 |
| Nennzahl/ speed | (min ⁻¹) | 2950 | Kippmoment-Nennmoment Pull-out torque | (M _k /M _n) | 3,3 |
| Nennstrom / rated current 400 V | (A) | 37,1 | Massenträgheitsmoment / moment of inertia | (kgm ²) | 0,0783 |
| Spannung / voltage (50 Hz) | (V) | 380-420/660-720(Δ/Y) | Umgeb.-temp./ ambient temperature | | 40°C |
| Frequenz / frequency | (Hz) | 50 | Lager / bearing | (DE) | 6311 C3 |
| Wirkungsgrad / efficiency | (%) | 91,6 | | (NDE) | 6311 C3 |
| Leistungsfaktor / power factor | (cos φ) | 0,94 | Schutzart / protection | | IP55 |
| Schutzart / protection | | IP55 | Schallpegel / noise level | (dB (A)) | 74 |
| Isolationsklasse / insulation class | | F | Gewicht / weight | (kg) | 190 |

Schaltplan / connection diagram

