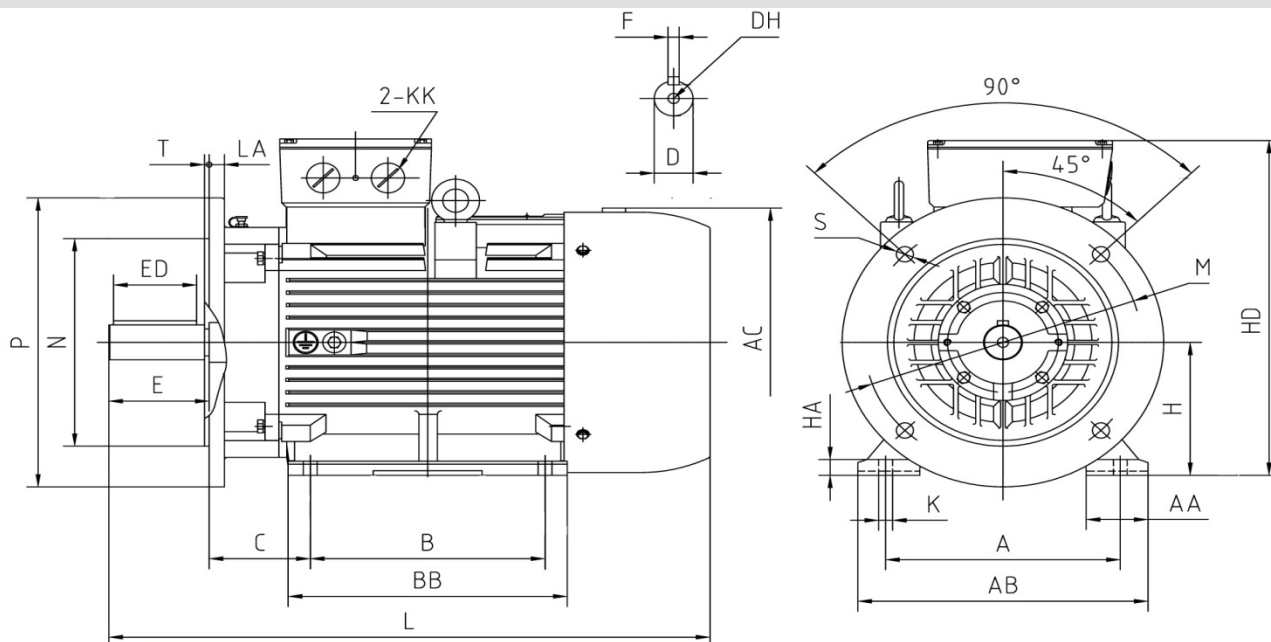


YX3 160 L-6 IE2

Abmessungen Drehstrom-Asynchronmotor / dimensions three phase asynchron motor IM B35 (mm)



Abmessungen / dimension

| A | AA | AB | AC | B | BB | C | E | ED | H | HD | HA | L | K | D | DH | KK |
|------|------|------|------|-----|---------|-----|-----|----|-----|-----|----|-----|------|-----|--------|---------|
| 254 | 67 | 320 | Ø330 | 254 | 305 | 108 | 110 | 90 | 160 | 410 | 19 | 655 | 14,5 | Ø42 | M16x36 | M40x1,5 |
| P | M | N | T | LA | S | F | | | | | | | | | | |
| Ø350 | Ø300 | Ø250 | 5 | 15 | 4xØ18,5 | 12 | | | | | | | | | | |

Technische Daten / technical dates

| Typ / type | YX3 160 L-6 IE2 | | Nennmoment / rated torque | (Nm) | 108,2 |
|-------------------------------------|----------------------|----------------------|--|-----------------------------------|--------|
| Leistung / power | (kW) | 11,0 | Anlaufstrom-Nennstrom / starting current-rated current | (I _a /I _n) | 6,7 |
| Betriebsart / duty | | S1 | Anzugsmoment-Nennmoment / starting torque-rated torque | (M _a /M _n) | 2,1 |
| Nennzahl / speed | (min ⁻¹) | 970 | Kippmoment-Nennmoment / Pull-out torque | (M _k /M _n) | 2,6 |
| Nennstrom / rated current 400 V | (A) | 22,3 | Massenträgheitsmoment / moment of inertia | (kgm ²) | 0,1218 |
| Spannung / voltage (50 Hz) | (V) | 380-420/660-720(e/Y) | Umgeb.-temp./ ambient temperature | | 40°C |
| Frequenz / frequency | (Hz) | 50 | Lager / bearing | (DE) | 6309 |
| Wirkungsgrad / efficiency | (%) | 89,3 | | (NDE) | 6309 |
| Leistungsfaktor / power factor | (cos φ) | 0,80 | Schallpegel / noise level | (dB (A)) | 70 |
| Schutzart / protection | | IP55 | Gewicht / weight | (kg) | 154 |
| Isolationsklasse / insulation class | | F | | | |

Schaltplan / connection diagram

